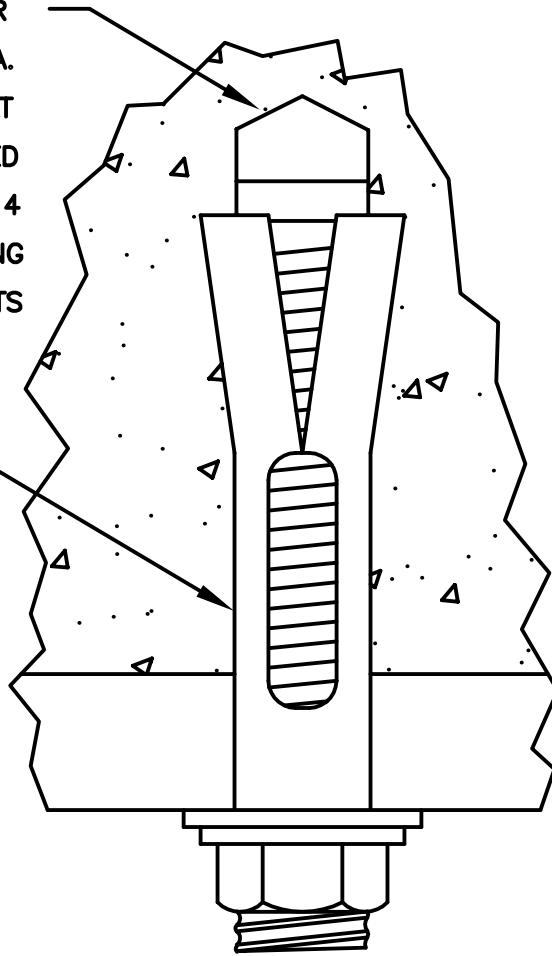



HILTI ANCHOR
 MINIMUM 5/8" DIA.
 ANCHOR BOLTS AT
 LOCATIONS AS REQUIRED
 TO MEET THE LOAD 4
 SEISMIC BRACING
 REQUIREMENTS

MINIMUM
 DEPTH 2 IN.



 CHICAGO PUBLIC SCHOOLS CAPITAL IMPROVEMENT PROGRAM INFORMATION TECHNOLOGY SERVICES INFRASTRUCTURE STANDARDS			
CONCRETE INSERT CAPITAL IMPROVEMENT PROGRAM			
	PROJECT NUMBER	SCALE NONE	DATE 04/10/06
			SHEET NO. ED.870

NO.	DATE	REVISION	BY