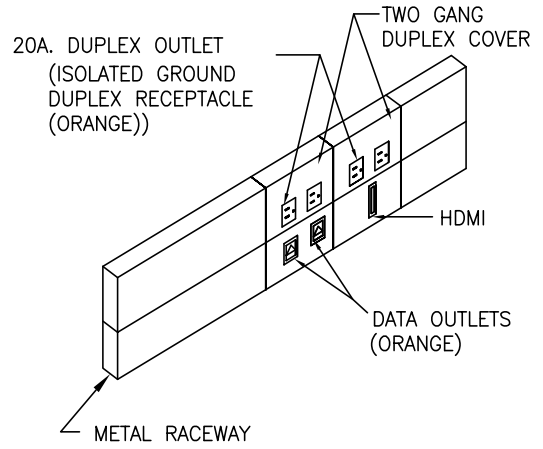
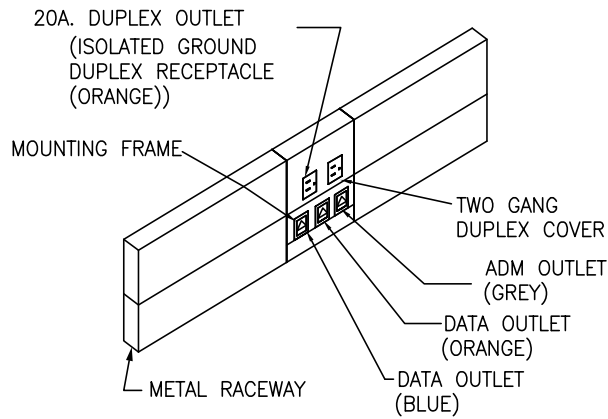


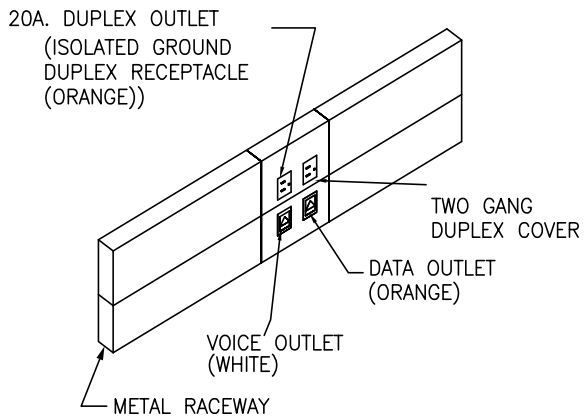
TYPICAL ADMINISTRATION OUTLET



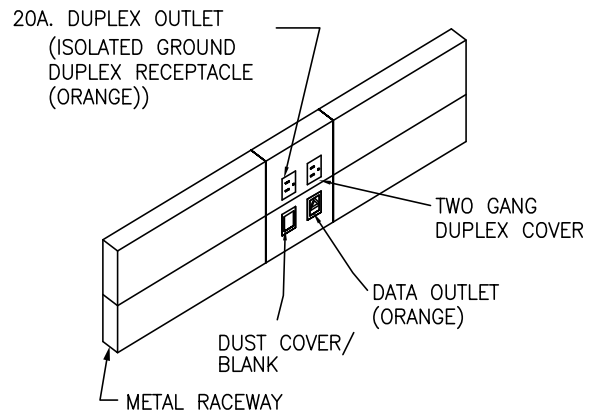
TEACHER STATION




MASTER ADMINISTRATION OUTLET



FAX /MFD /PRINTER /DATA STATION OUTLET



STUDENT WORKSTATION OUTLET

 CHICAGO PUBLIC SCHOOLS CAPITAL IMPROVEMENT PROGRAM INFORMATION TECHNOLOGY SERVICES INFRASTRUCTURE STANDARDS				
VOICE/DATA WORKSTATION DETAILS (2) – RENOVATION				
DESIGNED CPS			SHEET NO. ED.008	
DRAWN CPS				
CHECKED CPS	PROJECT NUMBER	SCALE NONE		DATE 12/19/17
APPROVED CPS				
NO.	DATE	REVISION	BY	