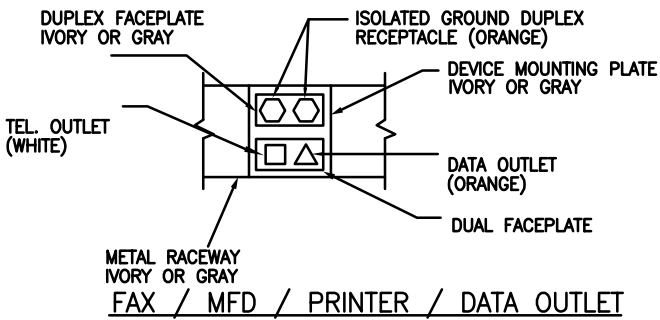
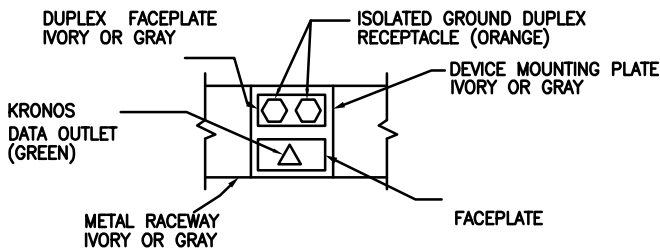


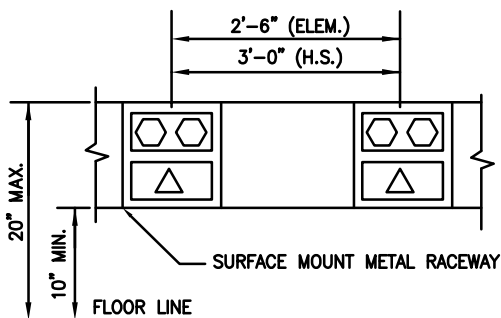
STUDENT WORKSTATION OUTLET



FAX / MFD / PRINTER / DATA OUTLET

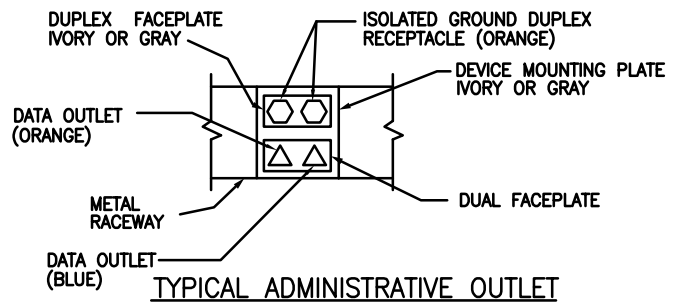


KRONOS TERMINAL OUTLET

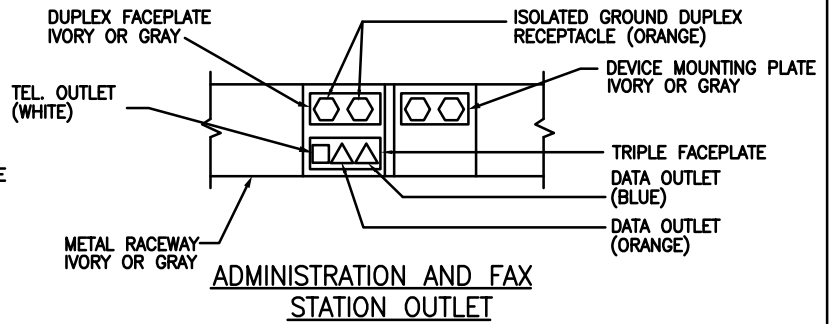


TYPICAL WORK STATION LAYOUT
NOT TO SCALE

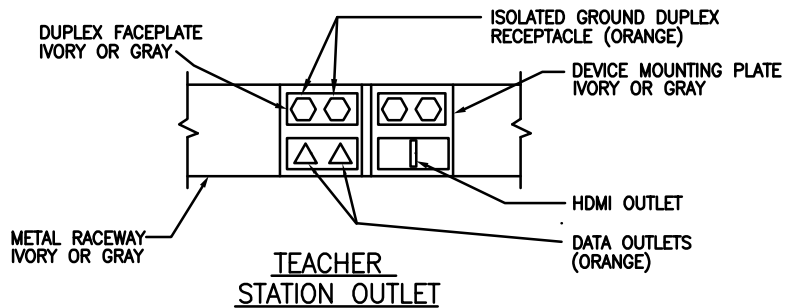
OUTLET LEGEND	
	ORANGE ISOLATED GROUND DUPLEX RECEPTACLE
	SINGLE DATA OUTLET
	SINGLE VOICE OUTLET



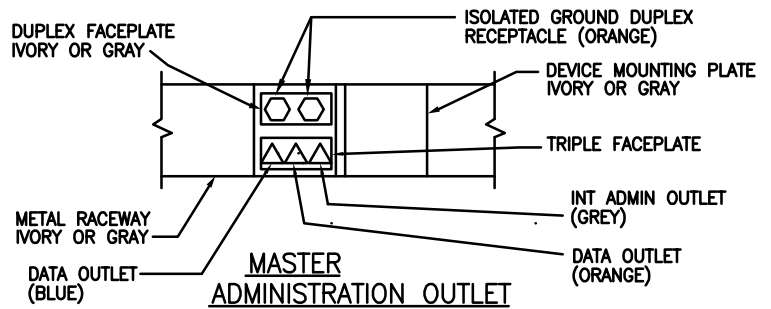
TYPICAL ADMINISTRATIVE OUTLET



ADMINISTRATION AND FAX STATION OUTLET



TEACHER STATION OUTLET



MASTER ADMINISTRATION OUTLET

NOTES:

1. SURFACE MOUNT METAL RACEWAY FACEPLATES ARE TO BE METAL OVERLAPPING TYPE ONLY ON RACEWAY.



CHICAGO PUBLIC SCHOOLS

**CAPITAL IMPROVEMENT PROGRAM
INFORMATION TECHNOLOGY SERVICES**

INFRASTRUCTURE STANDARDS

**VOICE/DATA WORKSTATION
DETAILS – RENOVATION/SURFACE
MOUNT METAL RACEWAY**

DESIGNED	CPS	PROJECT NUMBER	SCALE NONE	DATE 12/19/17	SHEET NO. ED.007
DRAWN	CPS				
CHECKED	CPS				
APPROVED	CPS				
NO.	DATE				